



experience
TRUE QUALITY
in your shower

DG  **DUBUQUE
GLASS
COMPANY**

WWW.DBQGLASS.COM

SHOWERS
are the place of
THOUGHTS &
DECISION
making



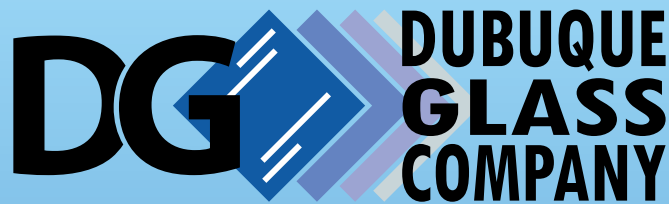
STYLE, QUALITY



AND INNOVATION



HARDWARE



WE OFFER EXPERT DESIGN ASSISTANCE WITH EVERY SHOWER DOOR TO HELP GUIDE YOU THROUGH THE DESIGN PROCESS. IMAGINE THE VISION OF ALL THAT A SHOWER ENCLOSURE CAN BE. DUBUQUE GLASS COMPANY CAN MAKE YOUR VISION BECOME A REALITY.

HINGES



HINGE:
Cat. No. GEN037
Geneva Wall Mount



HINGE:
Cat. No. V1E037
Vienna Wall Mount

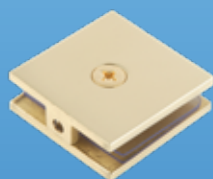


HINGE:
Cat. No. PPH01
Prima Mount



HINGE:
Cat. No. V1E180
Vienna 180 Glass to Glass

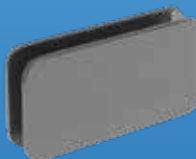
CLAMPS



CLAMP:
Cat. No. SCU4
Fixed Panel (Back)



CLAMP:
Cat. No. SCU4
Fixed Panel (Front)

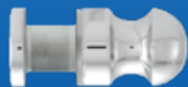


CLAMP:
Cat. No. GCB180
180° Glass Clamp Fron



CLAMP:
Cat. No. GE90S
Geneva Wall Mount Bracket

KNOBS



KNOB:
Cat. No. 19MK
Mini Bulb Single Sided



KNOB:
Cat. No. SDK400
Traditional Style Crystal



KNOB:
Cat. No. SDK112
Cylinder Style

HANDLES



HANDLE:
Cat. No. V1C6x6
Victorian Style



HANDLE:
Cat. No. BM8x8
Tubular



HANDLE:
Cat. No. RM8x8
Flat Outside/Round Inside

TOWEL BARS

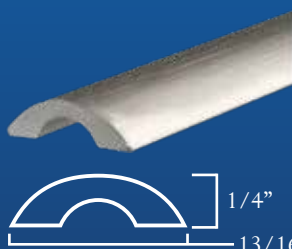


TOWEL BAR:
Cat. No. BMNW6x12
6" Handle / 12" Bar



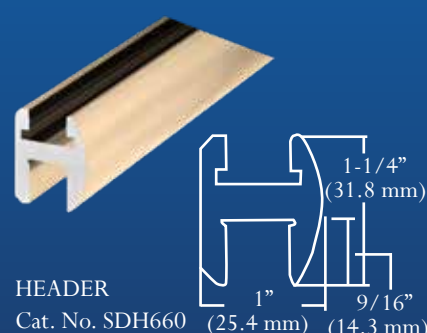
TOWEL BAR:
Cat. No. SQ8x18
8" Handle / 18" Bar

THRESHOLD



THRESHOLD
Cat. No. SDT980

HEADER



HEADER
Cat. No. SDH660



DG  **DUBUQUE
GLASS
COMPANY**

801 CEDAR CROSS RD. | DUBUQUE, IA | 563.582.5475 | WWW.DBQGLASS.COM